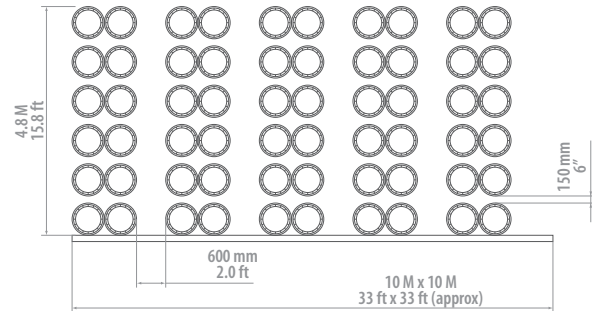
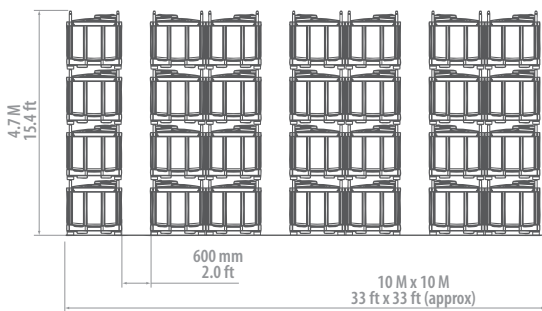


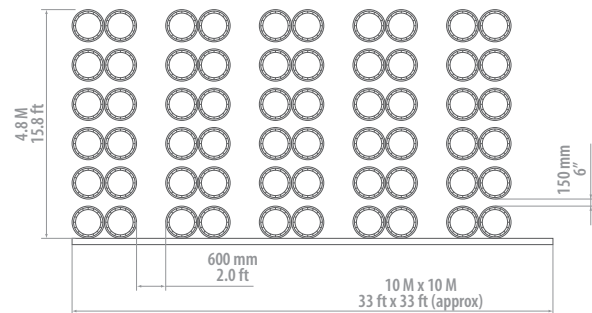
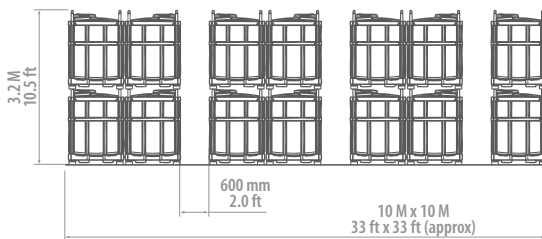
# Space efficiency charts

The following information provides an estimated comparison of space efficiency between 225 litres/60gal barrels and Cubes. Each example has been calculated on the same floor area equal to 100 square meters (10 x 10 meters) or 1,076 square feet (32.8 x 32.8 feet).

	Stack	Capacity each	Units per 100m <sup>2</sup>	Total capacity per 100m <sup>2</sup>
<b>Flexcube</b>	4	1,000 litres / 265 gal	224	224,000 litres / 59,200 gal
<b>Barrel</b>	6	225 litres / 60 gal	600	135,000 litres / 35,700 gal



	Stack	Capacity each	Units per 100m <sup>2</sup>	Total capacity per 100m <sup>2</sup>
<b>Flexcube</b>	2	1,500 litres / 397 gal	112	168,000 litres / 44,381 gal
<b>Barrel</b>	6	225 litres / 60 gal	600	135,000 litres / 35,700 gal



	Stack	Capacity each	Units per 100m <sup>2</sup>	Total capacity per 100m <sup>2</sup>
<b>Flexcube</b>	2	2,000 litres / 530 gal	112	224,000 litres / 59,200 gal
<b>Barrel</b>	6	225 litres / 60 gal	600	135,000 litres / 35,700 gal

